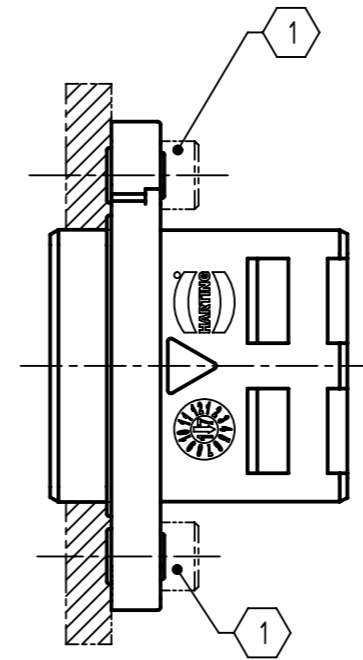
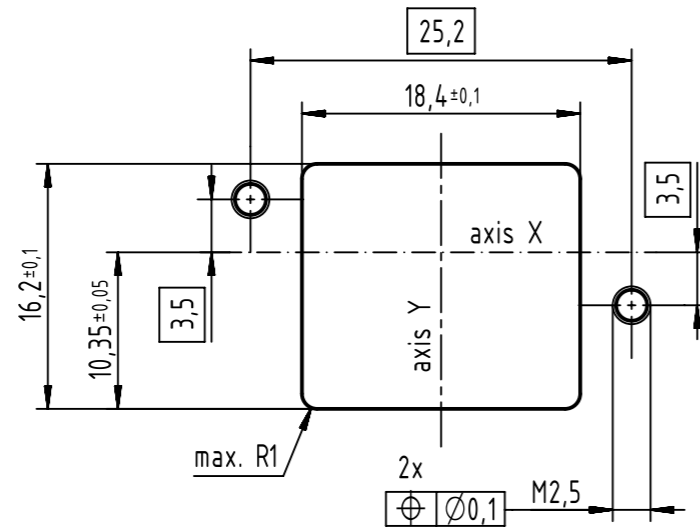
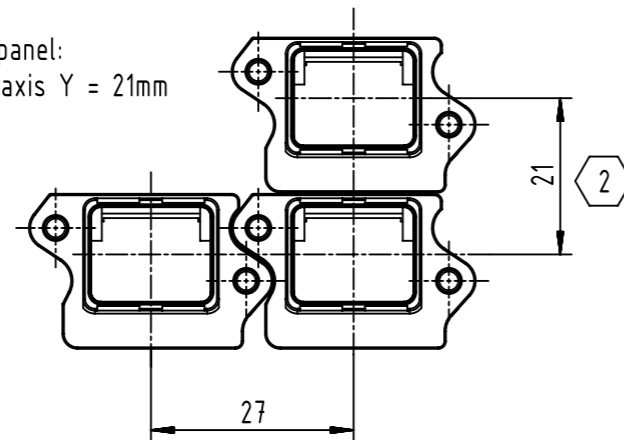


panel cutting



connector pitch on panel:
axis X = 27mm and axis Y = 21mm



further information see product data sheet

- 3 Mating references A and B according to IEC 60603-7
- 2 connector pitch with coding clip 0945840002X Y = 23mm
- 1 2x M2.5; screws acc. to ISO 4762;
please order separately; bolting torque 0.3Nm - 0.5Nm

	All rights reserved	Created by STORCK	Inspected by ZWÄHR	Standardisation HOFFMANN	Date 2019-12-17	State Final Release	
	Department EL PD	Title HARTING PushPull V4 Compact Housing without Clip				Doc-Key / ECM-Nr. 100626921/UGD/002/G 500000161747	
HARTING Electronics GmbH D-32339 Espelkamp		Type TB	Number 09455450043			Rev. G	Page 1/1